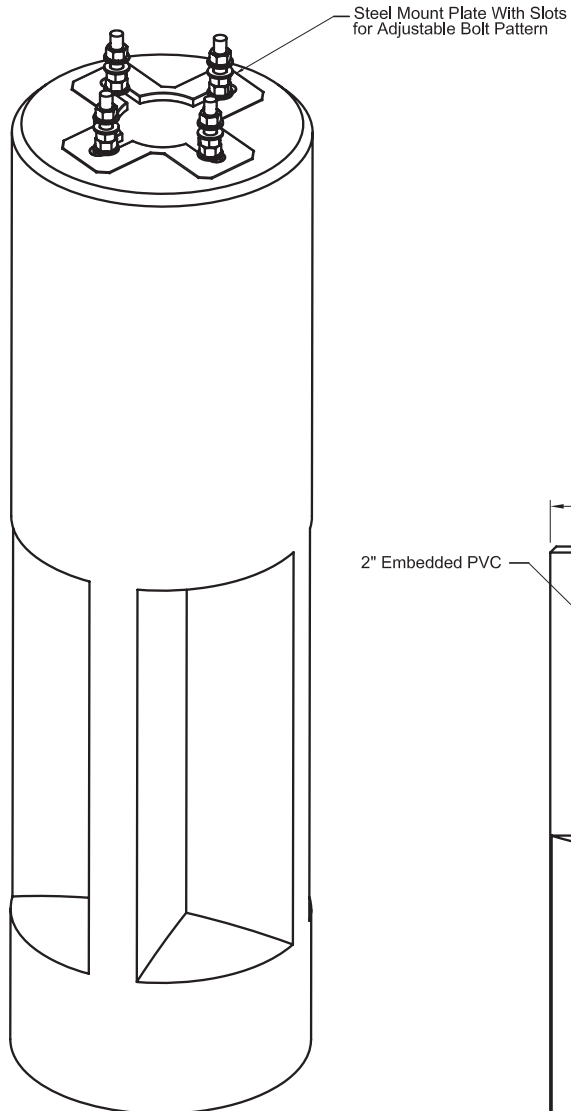


GENERAL NOTES

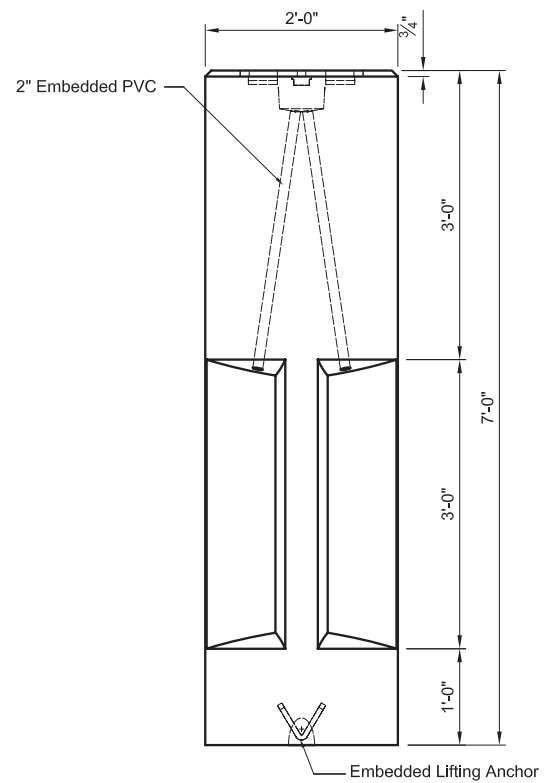
- 1) MINIMUM 28 DAY CONCRETE STRENGTH $f_c=6000\text{PSI}$ (41.4MPA).
- 2) REINFORCING STEEL SHALL COMPLY WITH ASTM A-615 GRADE 60 (A-615M GRADE 420)
- 3) ANCHOR BOLTS AND HARDWARE to be ASTM A449, and be HOT DIP GALVANIZED (HDG) Per ASTM A153.
- 4) STEEL PLATE to be (HGD) per ASTM A123.
- 5) CONDUIT & COUPLERS to be PVC SCH. 40 CONFORMING TO NEMA TC-2.

Pole Base

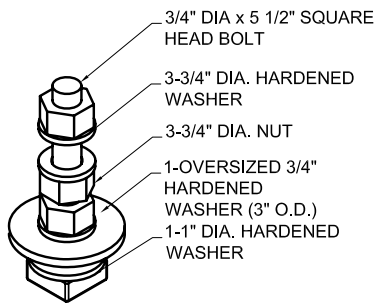
Weight: 2,600 lbs.



ISOMETRIC VIEW
SCALE: NTS



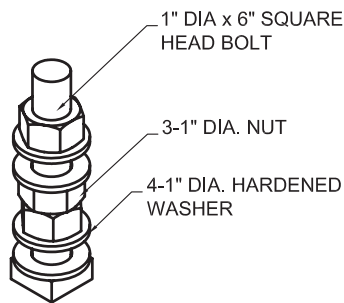
ELEVATION
SCALE 3/4"=1'-0"



3/4" BOLT ASSEMBLY

SCALE: NTS

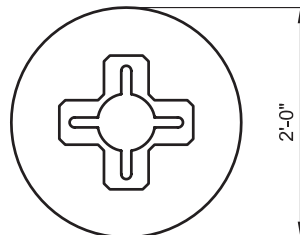
LOOSE ITEMS-3/4" Bolt Assembly		
QTY	DESCRIPTION	AX #
4	3/4" DIA x 5 1/2" SQUARE HEAD BOLT	
12	3/4" DIA, HARDENED WASHER	
12	3/4" DIA, HEX NUT	
4	OVERSIZED 3/4" HARDENED WASHER (3" O.D.)	
4	1" DIA, HARDENED WASHER	



1" BOLT ASSEMBLY

SCALE: NTS

LOOSE ITEMS-1" Bolt Assembly		
QTY	DESCRIPTION	AX #
4	1" DIA x 6" SQUARE HEAD BOLT	
12	1" DIA, HEX NUT	
16	1" DIA, HARDENED WASHER (2" O.C.)	



PLAN
SCALE 3/4"=1'-0"



Sales Contact:
Ben Gehrts
(763) 323-3548
Ben.Gehrts@oldcastle.com

OMNI FOUNDATION
24" Dia.
MODEL: OMNIPB