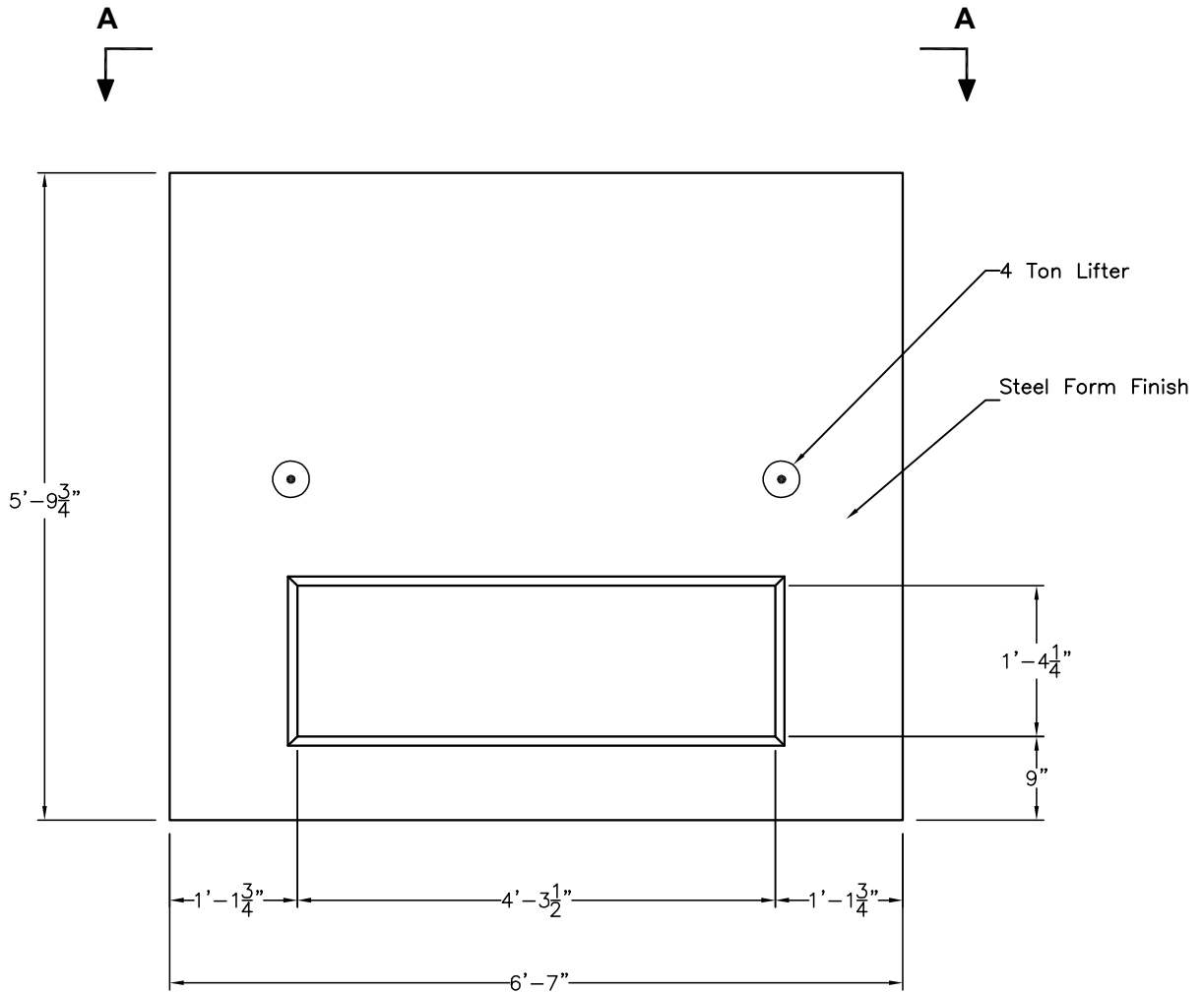


**Section A - A**



**Plan View**