

DESIGN NOTES

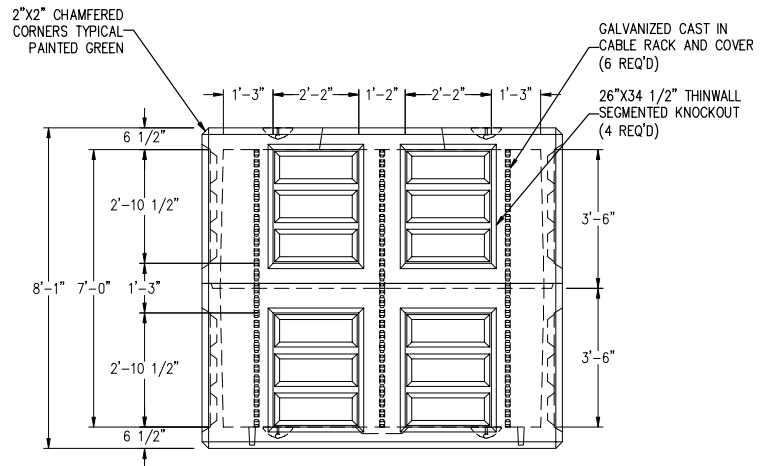
- ALL CONCRETE TO HAVE 28 DAY COMPRESSIVE STRENGTH OF 7,000 PSI
- DESIGN LOADINGS:
 - AASHTO HS-20-44, W/ IMPACT
 - SOIL WEIGHT = 120 PCF
 - OVERBURDEN = 0' TO 2' WHEN WATER TABLE IS 2' BELOW FINISHED GRADE.
OVERBURDEN = 0' TO 4' WHEN WATER TABLE IS 6' BELOW FINISHED GRADE.
 - SOIL WEIGHT DRY = 100 LBS/CU FT
 - SOIL WEIGHT WET = 120 LBS/CU FT
 - EQUIV. LATERAL PRESSURE DRY = 36 LBS/CU FT
 - EQUIV. LATERAL PRESSURE WET = 83 LBS/CU FT
- STEEL REINFORCEMENT: REBAR, ASTM A-615 GRADE 60
- CEMENT: ASTM C-150 SPECIFICATIONS

BILL OF MATERIALS

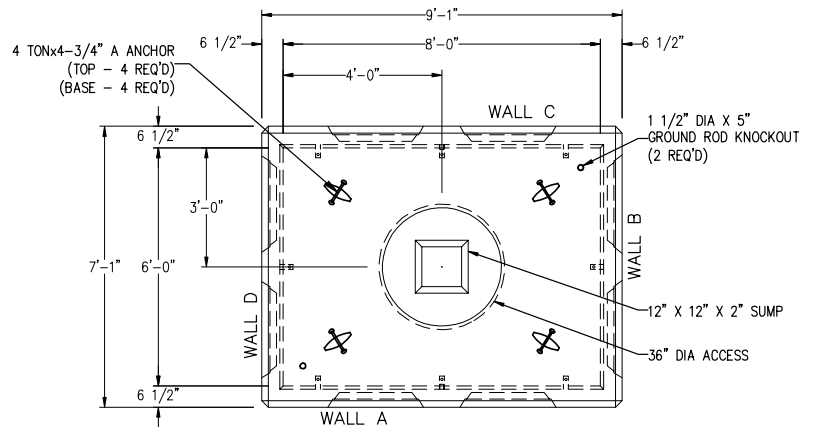
TYPE	QTY
TOP (3305200)	
(5010510) CONCRETE MIX SCC (CYD)	2.51
(5100612) 4 TON X 4 3/4" A ANCHOR	4
(2950550) FARGO CLAMP	2
(6801280) TOP CABLE RACK (28 HOLE)	8
(6801200) CABLE RACK COVER	8
BASE (3305230)	
(5010510) CONCRETE MIX SCC (CYD)	2.62
(5100610) 4 TON X 4 3/4" SL INSERT	4
(2950660) FARGO CLAMP	2
(6801160) BTM CABLE RACK (28 HOLE)	8
(6801200) CABLE RACK COVER	8
(5100612) 4 TON X 4 3/4" A ANCHOR	4

PRODUCT WEIGHTS

TYPE	QTY
LID	0
TOP	10,600
RISER	0
SLAB	0
BASE	11,000
TOTAL LBS	21,600



WALL A, C
SCALE: 1/4" = 1'-0"



PLAN VIEW
SCALE: 1/4" = 1'-0"

