

## DESIGN NOTES

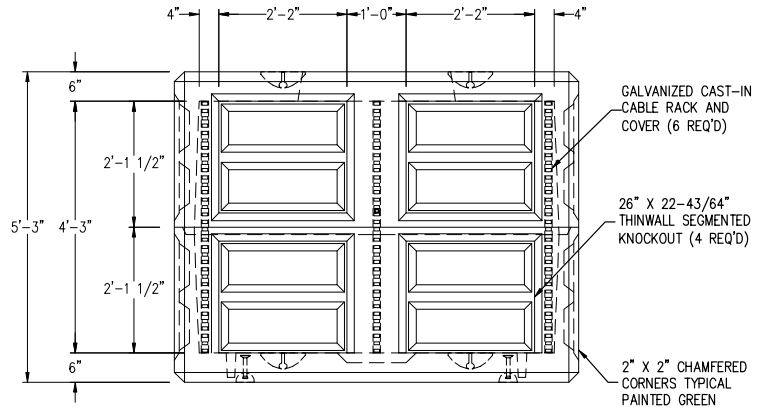
- 1) ALL CONCRETE TO HAVE 28 DAY COMPRESSIVE STRENGTH OF 7,000 PSI
- 2) DESIGN LOADINGS:
  - A. AASHTO HS-20-44, W/ IMPACT
  - B. SOIL WEIGHT = 120 PCF
  - C. OVERBURDEN = 0' TO 2' WHEN WATER TABLE IS 2' BELOW FINISHED GRADE.
  - D. OVERBURDEN = 0' TO 4' WHEN WATER TABLE IS 6' BELOW FINISHED GRADE.
  - E. SOIL WEIGHT DRY = 100 LBS/CU FT
  - F. SOIL WEIGHT WET = 120 LBS/CU FT
  - G. EQUIV. LATERAL PRESSURE DRY = 36 LBS/CU FT
  - H. EQUIV. LATERAL PRESSURE WET = 83 LBS/CU FT
- 3) STEEL REINFORCEMENT: REBAR, ASTM A-615 GRADE 60
- 4) CEMENT: ASTM C-150 SPECIFICATIONS

## BILL OF MATERIALS

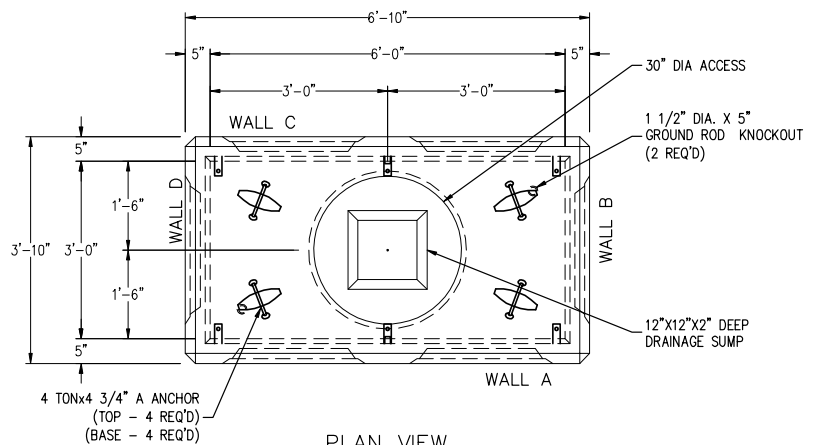
TYPE	QTY
TOP (3304540)	
(5010510) CONCRETE MIX SCC (CYD)	.82
(6801240) CABLE RACK TOP (18 HOLE)	6
(2950550) FARGO CLAMP	2
(6801200) CABLE RACK COVER	6
(5100612) 4 TON X 4 3/4" A ANCHOR	4
BASE (3304510)	
(5010510) CONCRETE MIX SCC (CYD)	.86
(6801120) BTM CABLE RACK (16 HOLE)	6
(6801200) CABLE RACK COVER	6
(5100612) 4 TON X 4 3/4" A ANCHOR	4
(5100610) 4 TON X 4 3/4" SL INSERT	4
(2950550) FARGO CLAMP	2

## PRODUCT WEIGHTS

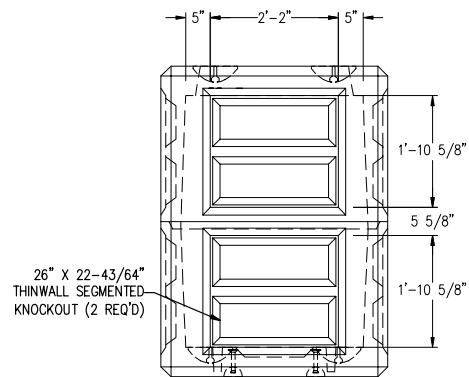
TYPE	QTY
LID	0
TOP	2,800
RISER	0
SLAB	0
BASE	3,200
<b>TOTAL LBS</b>	<b>6,000</b>



WALL A, C  
SCALE: 3/8" = 1'-0"



PLAN VIEW  
SCALE: 3/8" = 1'-0"



WALL B, D  
SCALE: 3/8" = 1'-0"