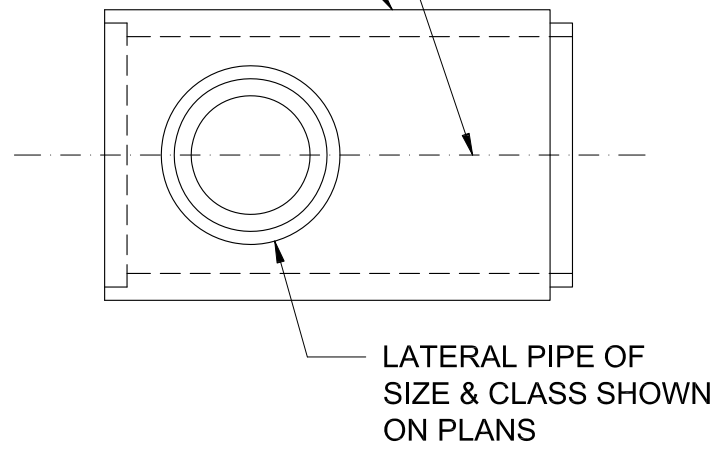


PLAN VIEW

MATCH SPRINGLINES OF PIPE
UNLESS OTHERWISE NOTED ON
PLANS

MAINLINE PIPE OF SIZE
& CLASS SHOWN ON PLANS



SIDE VIEW

NOTES

1. REINFORCED CONCRETE PIPE FOR MAINLINE & LATERAL SEWERS TO BE MANUFACTURED IN ACCORDANCE WITH ASTM C-76 OF CLASS SHOWN ON PLANS.
2. PIPE JOINTS TO BE IN ACCORDANCE WITH SPECIFICATIONS
3. REINFORCEMENT TO BE AS SPECIFIED ON PLANS.

**REINFORCED CONCRETE PIPE
TEES**



1 EAST NINTH STREET
ROMEDEVILLE, IL 60446
PH: (815) 834-0320
FAX: (815) 838-9275

DRN BY: DM	DATE 07/27/07	DWG NO.	REV
CHK'D BY:	DATE	SCALE NTS	SHEET OF