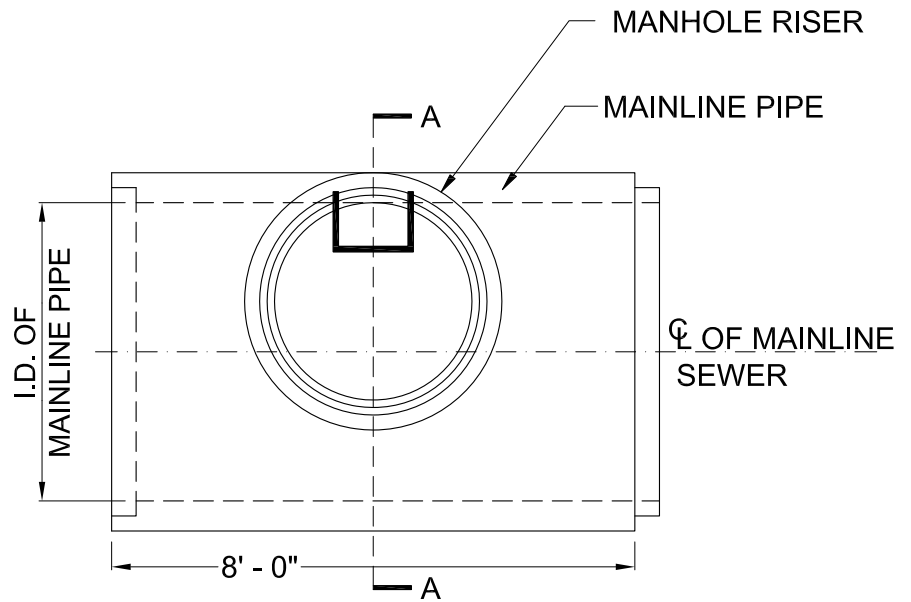
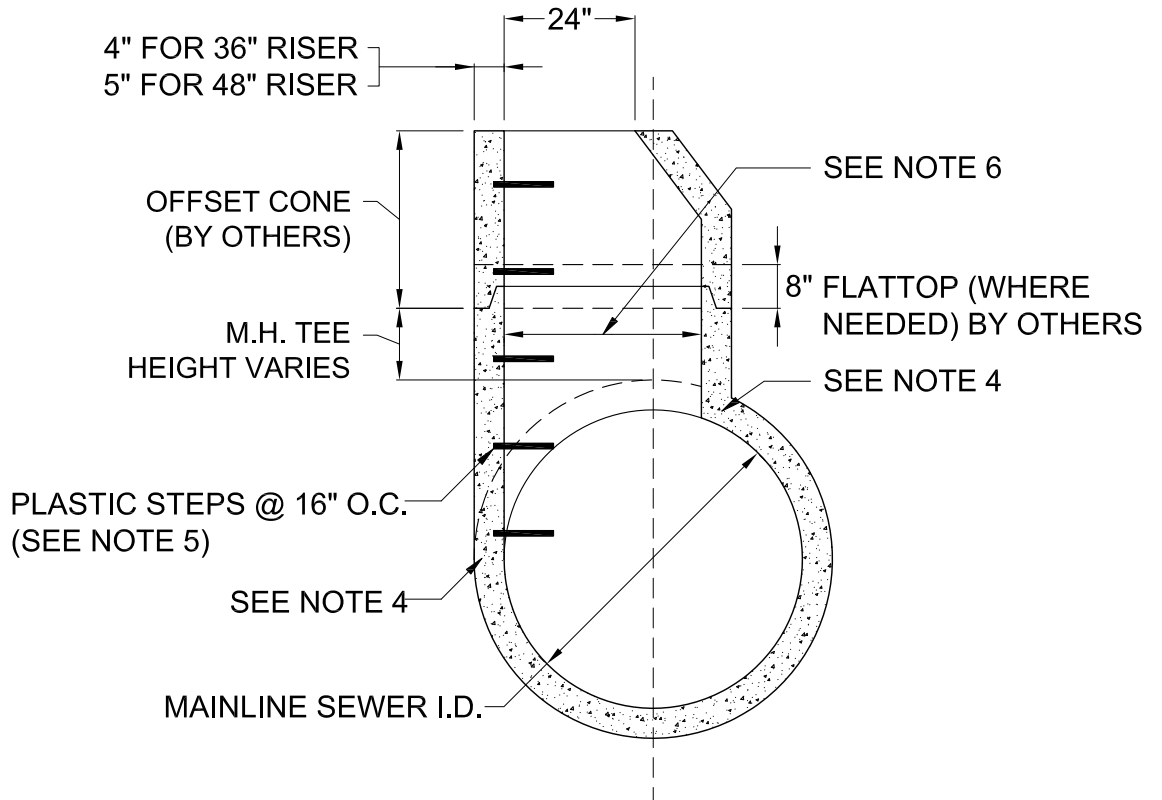


**NOTES**

1. MAINLINE PIPE TO BE MANUFACTURED IN ACCORDANCE WITH ASTM C-76 SPECS.
2. MANHOLE RISER TO BE IN ACCORDANCE WITH ASTM C-478.
3. SCORED HOLES TO BE PROVIDED IN THE PIPE & M.H. SECTIONS FOR LATERAL CONNECTIONS (WHERE NEEDED).
4. REINFORCEMENT TO BE AS SPECIFIED ON PLANS.
5. STEPS TO BE STEEL CORE PLASTIC BY M.A. INDUSTRIES (#PS-1-PF)
6. 36" I.D. RISER ON 36" AND 42" MAINLINE PIPE. 48" I.D. RISER ON 48" AND LARGER MAINLINE PIPE.



**PLAN VIEW**



**SECTION A-A**

**PRECAST MANHOLE TEES**



1 EAST NINTH STREET  
 ROMEVILLE, IL 60446  
 PH: (815) 834-0320  
 FAX: (815) 838-9275

|                      |                         |                     |          |
|----------------------|-------------------------|---------------------|----------|
| DRN BY:<br><b>DM</b> | DATE<br><b>07/27/07</b> | DWG NO.             | REV      |
| CHK'D BY:            | DATE                    | SCALE<br><b>NTS</b> | SHEET OF |