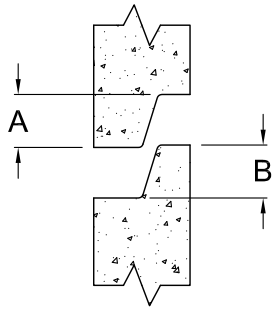


EXTERIOR



JOINT DETAIL

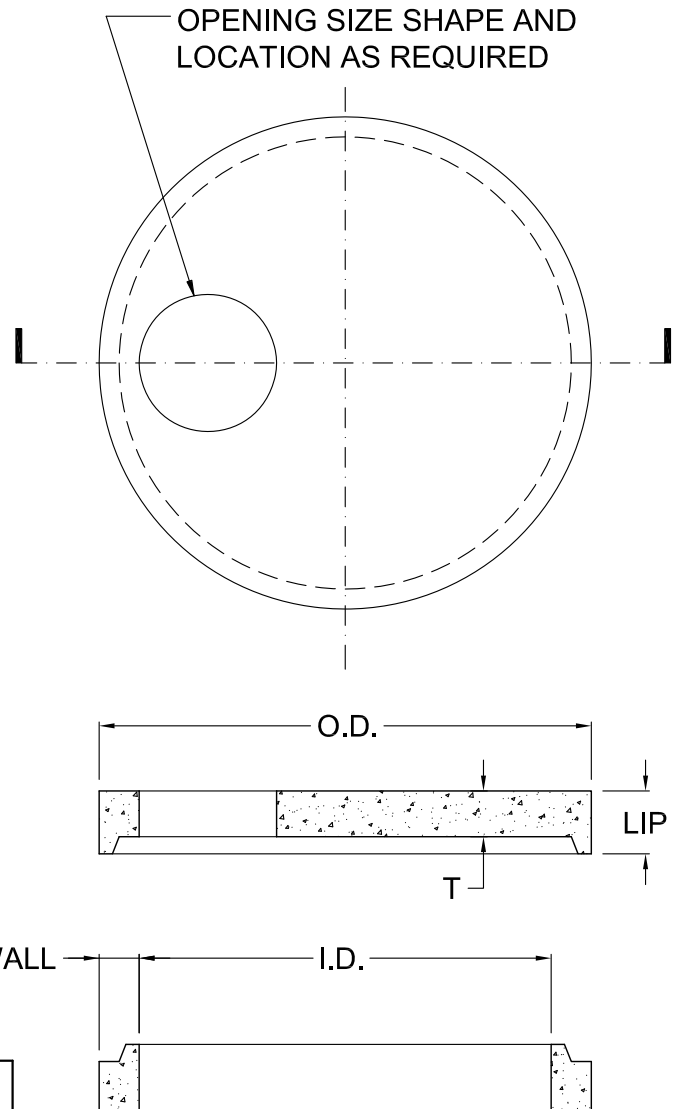
STD. OPENINGS AVAILABLE

- 26" I.D.
- 24" x 25"
- 24" x 30"
- 24" x 36"

NOTES

1. ALL UNITS MEET ASTM C-478 FOR PRECAST SECTIONS.
2. ALL UNITS MEET ASTM A-82, A-496, A-185, AND A-497 FOR REINFORCEMENT.
3. ALL UNITS MEET AASHTO M 199M.
4. BUILT IN ACCORDANCE WITH WISCONSIN STANDARD SPECIFICATIONS CHAPTER 3.5.0 AND 3.6.0.
5. BUILT IN ACCORDANCE WITH IDOT AND WDOT STANDARD SPECIFICATIONS.
6. COATINGS OPTIONAL AS REQUIRED.

Inside Diameter	Outside Diameter	Wall Thickness	Groove Height	Tongue Height	Lip Height	Slab Thickness
ID	OD	WALL	A	B	LIP	T
48"	58"	5"	2 3/4"	2 3/4"	9"	6"
60"	72"	6"	2 3/4"	2 3/4"	11"	8"
72"	86"	7"	2 7/8"	3"	11"	8"
84"	100"	8"	7"	7"	17"	10"
96"	114"	9"	5"	5"	17"	12"
120"	142"	11"	6"	6"	18"	12"
144"	168"	12"	6"	6"	18"	12"



FLAT TOP SECTIONS



8011 GREEN BAY ROAD
KENOSHA, WI. 53142
PH: (262) 694-3166
FAX: (262) 694-9185

DRN BY: DM	DATE 08/13/07	DWG NO.	REV
CHK'D BY:	DATE	SCALE NTS	SHEET OF