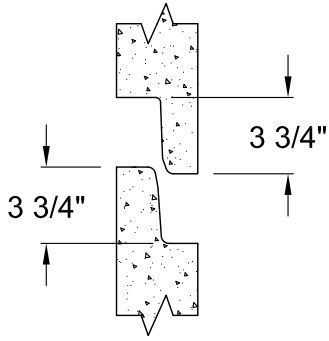
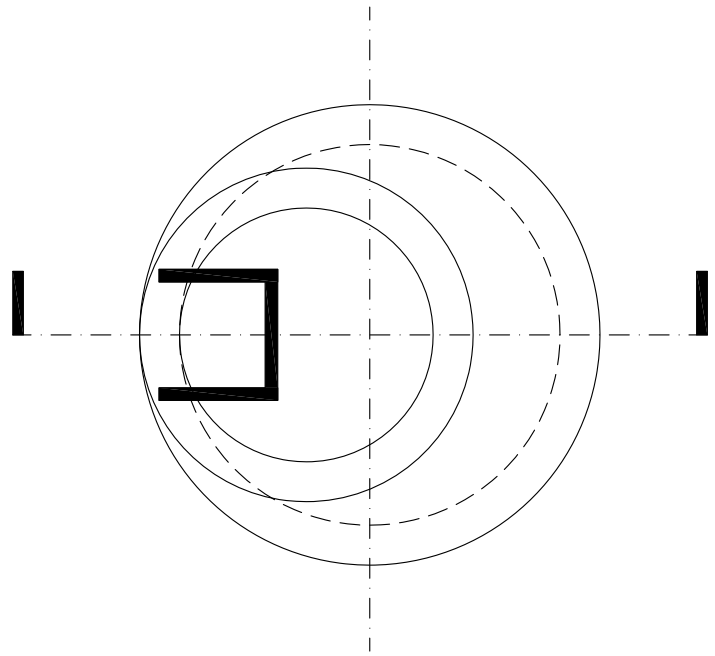


EXTERIOR

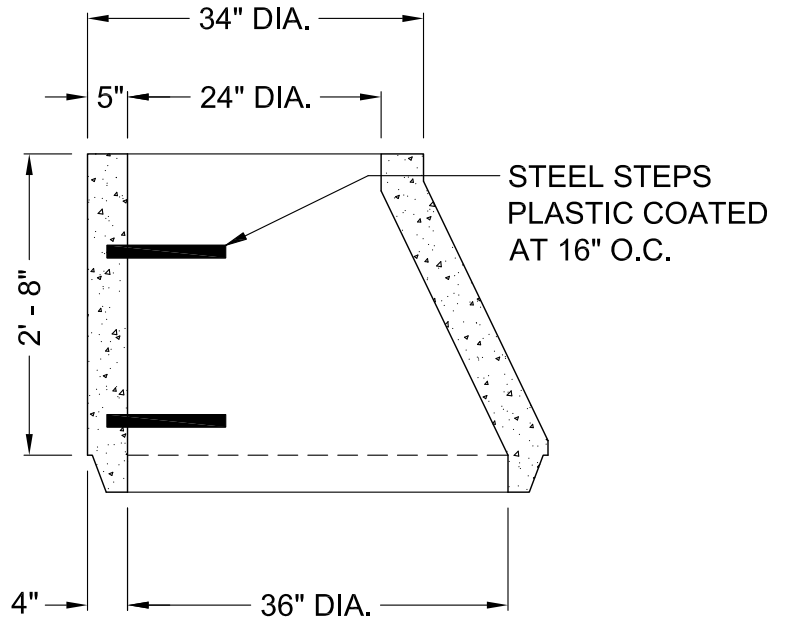


JOINT DETAIL



**NOTES**

1. ALL UNITS MEET ASTM C-478 FOR PRECAST SECTIONS.
2. ALL UNITS MEET ASTM A-82, A-496, A-185, AND A-497 FOR REINFORCEMENT.
3. ALL UNITS MEET AASHTO M 199M.
4. BUILT IN ACCORDANCE WITH WISCONSIN STANDARD SPECIFICATIONS CHAPTER 3.5.0 AND 3.6.0.
5. BUILT IN ACCORDANCE WITH IDOT AND WDOT STANDARD SPECIFICATIONS.
6. COATINGS OPTIONAL AS REQUIRED.



**36" DIA. ECCENTRIC CONE WITH 24" ACCESS OPENING**



8011 GREEN BAY ROAD  
 KENOSHA, WI. 53142  
 PH: (262) 694-3166  
 FAX: (262) 694-9185

|                      |                         |                     |          |
|----------------------|-------------------------|---------------------|----------|
| DRN BY:<br><b>DM</b> | DATE<br><b>07/25/07</b> | DWG NO.             | REV      |
| CHK'D BY:            | DATE                    | SCALE<br><b>NTS</b> | SHEET OF |