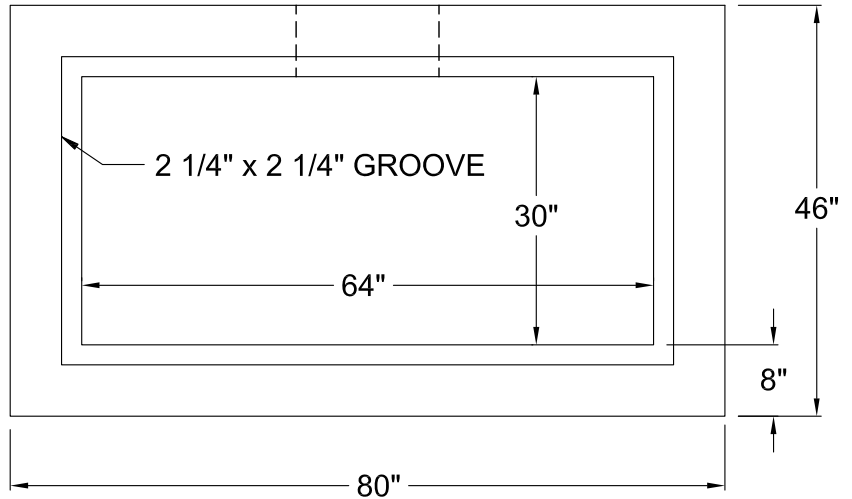
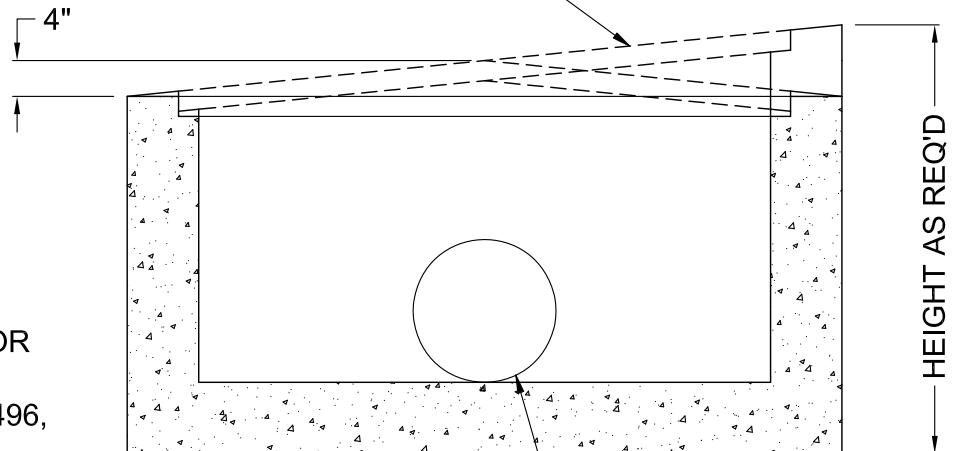


CUSTOM HEIGHT AND OPENING
AVAILABLE



SLOPE TOWARD DIRECTION OF FLOW
AS REQ'D PER INLET



NOTES

1. ALL UNITS MEET ASTM C-478 FOR PRECAST SECTIONS.
2. ALL UNITS MEET ASTM A-82, A-496, A-185, AND A-497 FOR REINFORCEMENT.
3. ALL UNITS MEET AASHTO M 199M.
4. BUILT IN ACCORDANCE WITH WISCONSIN STANDARD SPECIFICATIONS CHAPTER 6.39.0.
5. BUILT IN ACCORDANCE WITH WDOT STANDARD SPECIFICATIONS.

**STANDARD 30" x 64" BOX INLET
(WDOT TYPE 9)**



8011 GREEN BAY ROAD
KENOSHA, WI. 53142
PH: (262) 694-3166
FAX: (262) 694-9185

DRN BY: DM	DATE 08/16/07	DWG NO.	REV
CHK'D BY:	DATE	SCALE NTS	SHEET OF