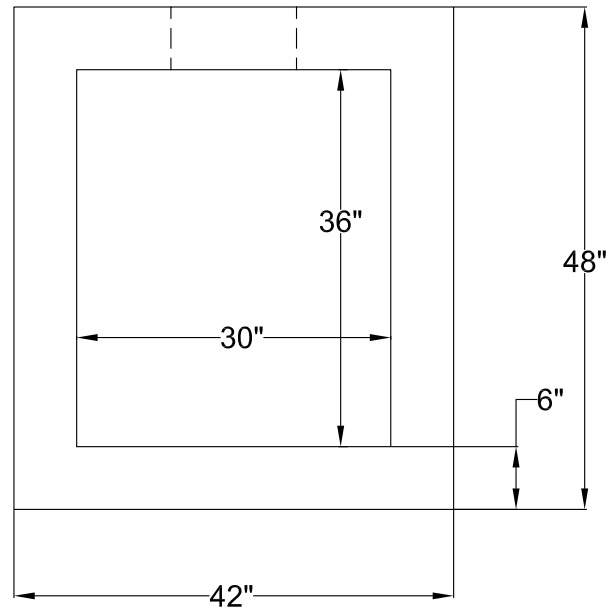
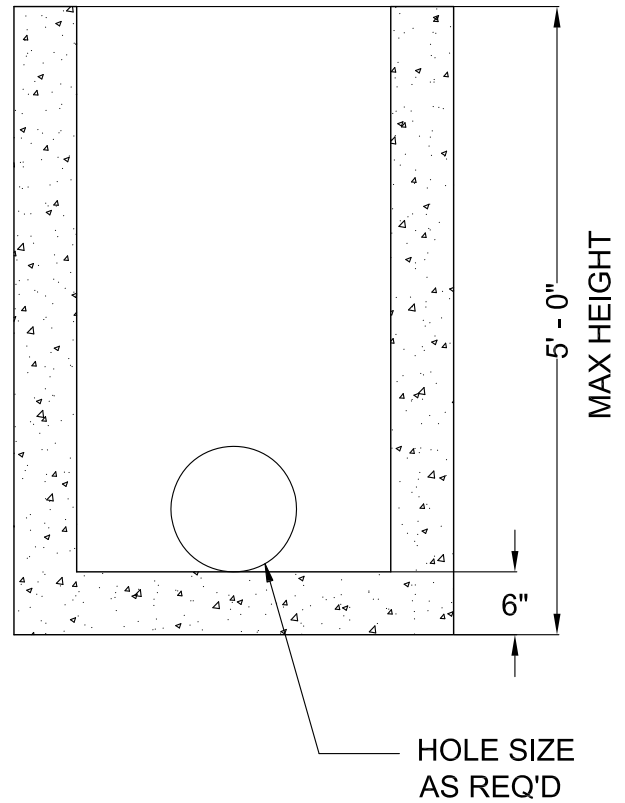


CUSTOM HEIGHT AND OPENING
AVAILABLE



NOTES

1. ALL UNITS MEET ASTM C-478 FOR PRECAST SECTIONS.
2. ALL UNITS MEET ASTM A-82, A-496, A-185, AND A-497 FOR REINFORCEMENT.
3. ALL UNITS MEET AASHTO M 199M.
4. BUILT IN ACCORDANCE WITH WISCONSIN STANDARD SPECIFICATIONS CHAPTER 6.39.0.
5. BUILT IN ACCORDANCE WITH WDOT STANDARD SPECIFICATIONS.



STANDARD 30" x 36" BOX INLET



8011 GREEN BAY ROAD
KENOSHA, WI. 53142

PH: (262) 694-3166
FAX: (262) 694-9185

DRN BY: DM	DATE 07/25/07	DWG NO.	REV
CHK'D BY:	DATE	SCALE NTS	SHEET OF