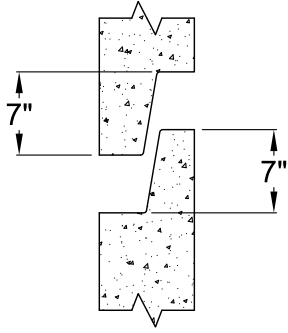
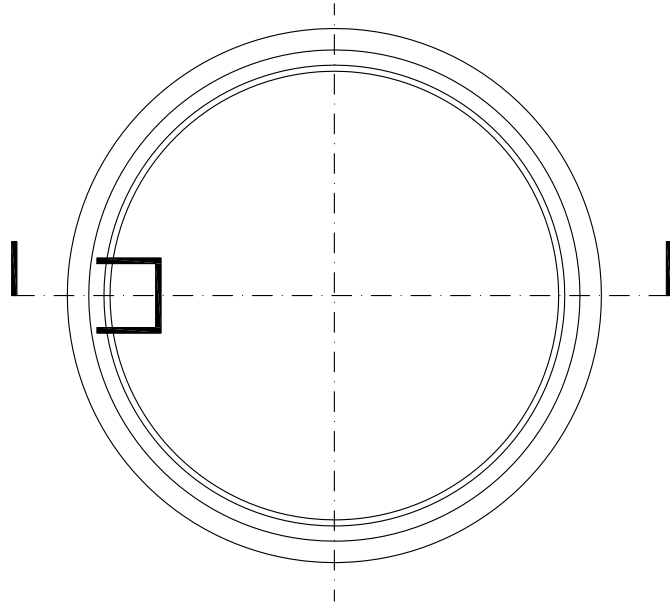


EXTERIOR



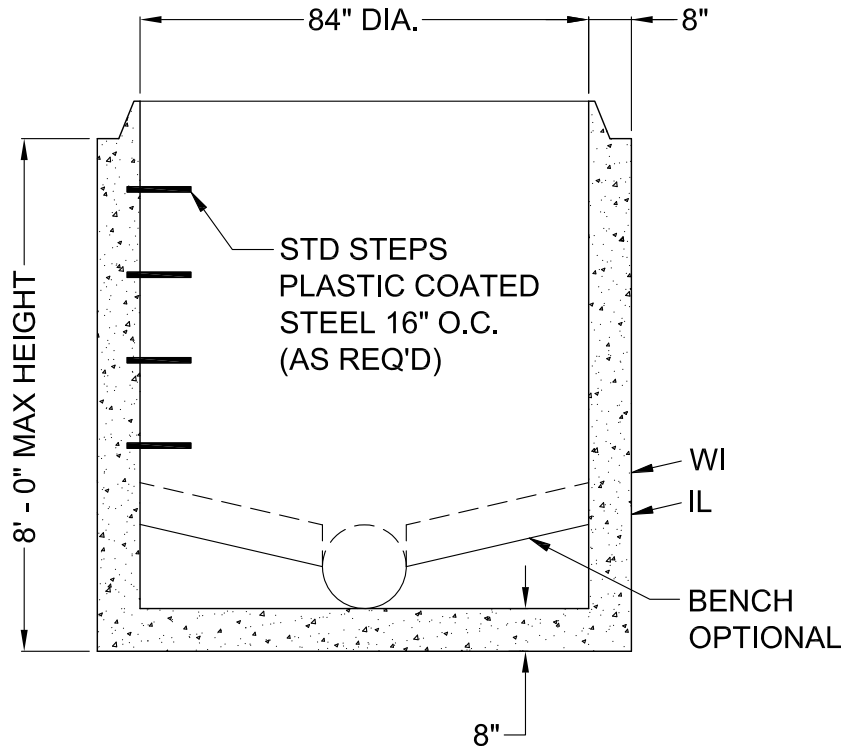
JOINT DETAIL



HEIGHTS AS REQUIRED

NOTES

1. WISCONSIN OR ILLINOIS PRECAST Poured INVERTS FOR STORM OR SANITARY OPTIONAL.
2. ALL UNITS MEET ASTM C-478 FOR PRECAST SECTIONS.
3. ALL UNITS MEET ASTM A-82, A-496, A-185, AND A-497 FOR REINFORCEMENT.
4. ALL UNITS MEET AASHTO M 199M.
5. BUILT IN ACCORDANCE WITH WISCONSIN STANDARD SPECIFICATIONS CHAPTER 3.5.0 AND 3.6.0.
6. BUILT IN ACCORDANCE WITH IDOT AND WDOT STANDARD SPECIFICATIONS.
7. COATINGS OPTIONAL AS REQUIRED.



STANDARD PRECAST 84\"/>



8011 GREEN BAY ROAD
 KENOSHA, WI. 53142
 PH: (262) 694-3166
 FAX: (262) 694-9185

DRN BY: DM	DATE 07/25/07	DWG NO.	REV
CHK'D BY:	DATE	SCALE NTS	SHEET OF