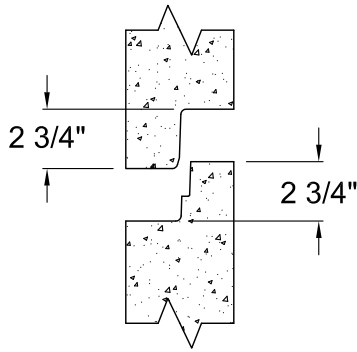
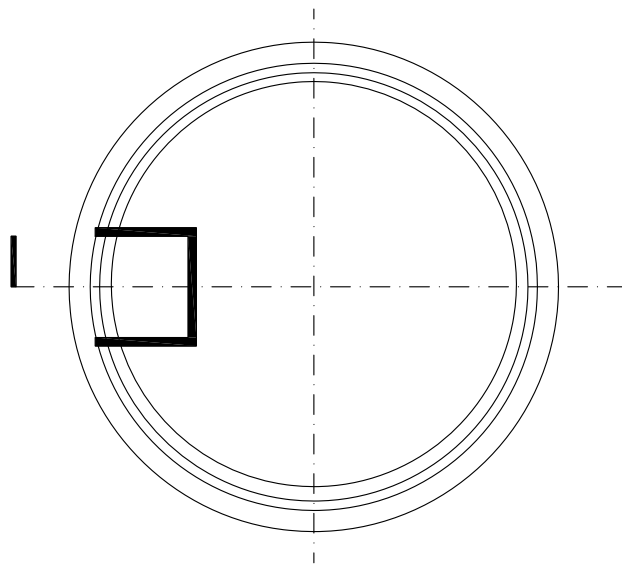


EXTERIOR



JOINT DETAIL

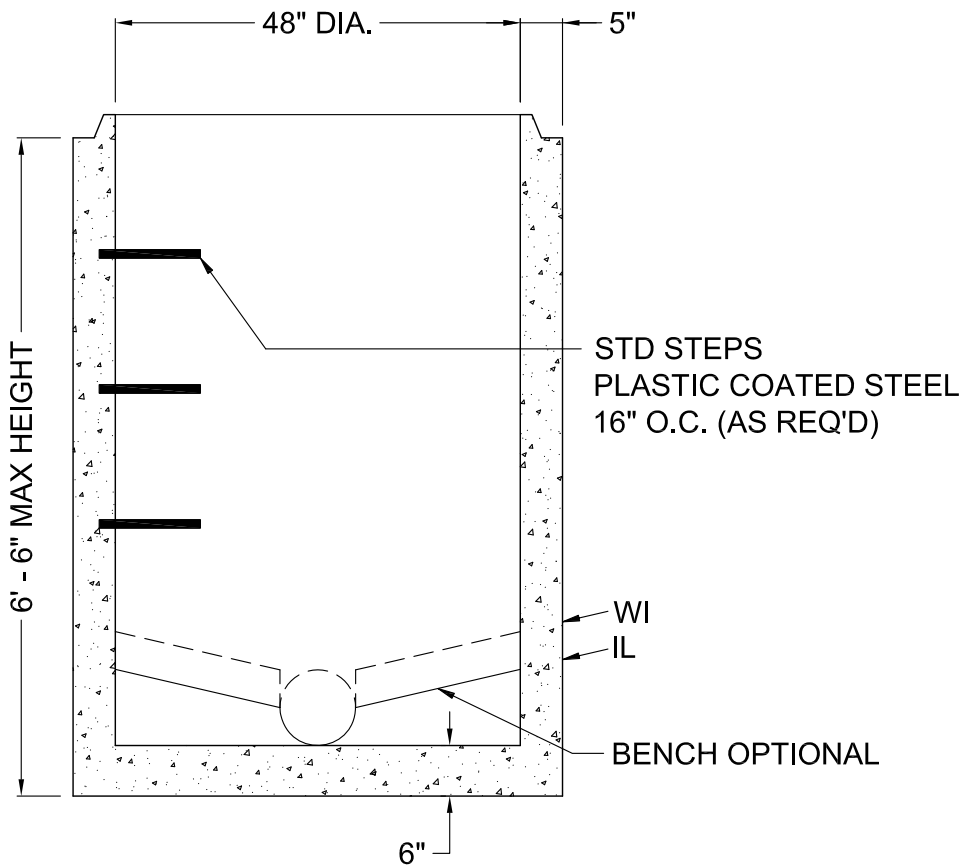


CUSTOM HEIGHTS AVAILABLE

TYPICAL HEIGHTS ARE 2' - 0",  
2' - 6", 3' - 0", 3' - 6", 4' - 0", 4' - 6"  
AND 5' - 0".

**NOTES**

1. WISCONSIN OR ILLINOIS PRECAST  
POURED INVERTS FOR STORM  
OR SANITARY OPTIONAL.
2. ALL UNITS MEET ASTM C-478 FOR  
PRECAST SECTIONS.
3. ALL UNITS MEET ASTM A-82,  
A-496, A-185, AND A-497 FOR  
REINFORCEMENT.
4. ALL UNITS MEET AASHTO M 199M.
5. BUILT IN ACCORDANCE WITH  
WISCONSIN STANDARD  
SPECIFICATIONS CHAPTER 3.5.0  
AND 3.6.0.
6. BUILT IN ACCORDANCE WITH IDOT  
AND WDOT STANDARD  
SPECIFICATIONS.
7. COATINGS OPTIONAL AS  
REQUIRED.



**STANDARD PRECAST 48"  
DIAMETER BASE SECTION**



8011 GREEN BAY ROAD  
KENOSHA, WI. 53142  
PH: (262) 694-3166  
FAX: (262) 694-9185

DRN BY: <b>DM</b>	DATE <b>07/25/07</b>	DWG NO.	REV
CHK'D BY:	DATE	SCALE <b>NTS</b>	SHEET OF