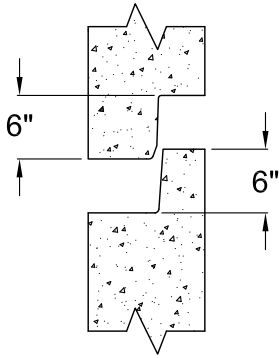
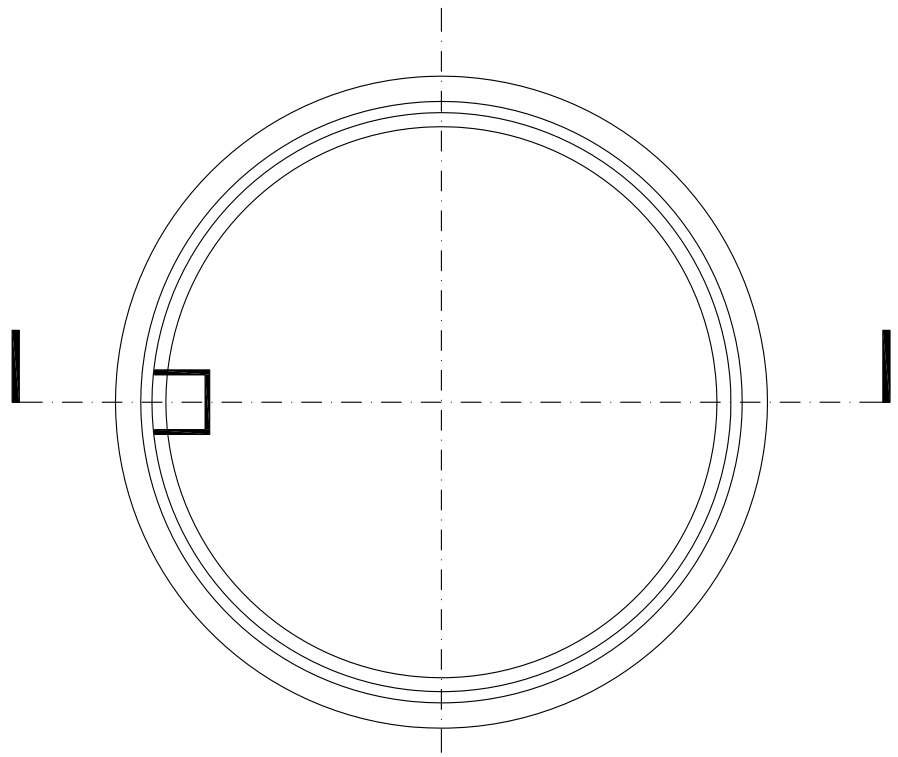


EXTERIOR



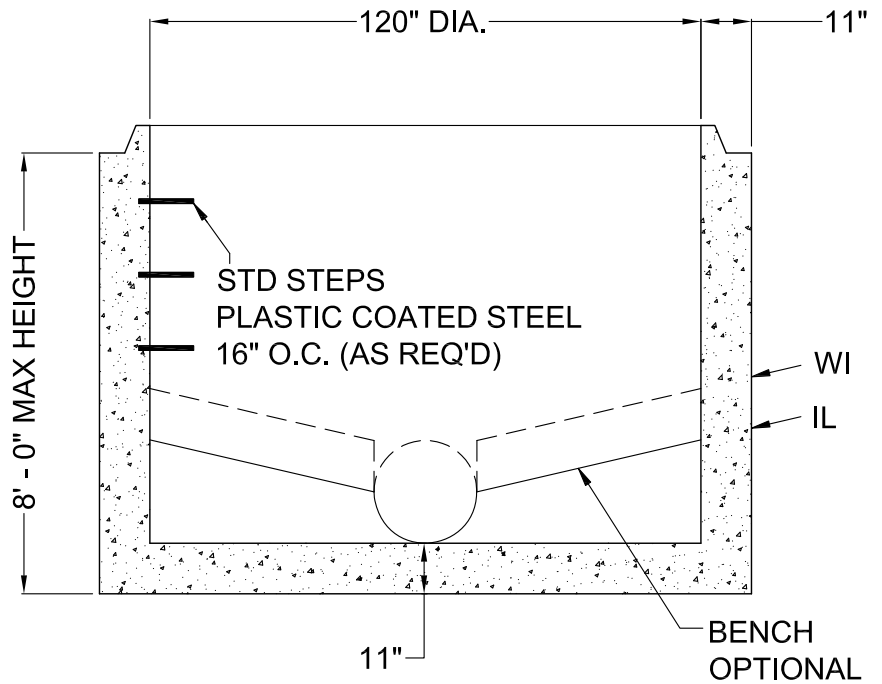
JOINT DETAIL



HEIGHTS AS REQUIRED

**NOTES**

1. WISCONSIN OR ILLINOIS PRECAST Poured INVERTS FOR STORM OR SANITARY OPTIONAL.
2. ALL UNITS MEET ASTM C-478 FOR PRECAST SECTIONS.
3. ALL UNITS MEET ASTM A-82, A-496, A-185, AND A-497 FOR REINFORCEMENT.
4. ALL UNITS MEET AASHTO M 199M.
5. BUILT IN ACCORDANCE WITH WISCONSIN STANDARD SPECIFICATIONS CHAPTER 3.5.0 AND 3.6.0.
6. BUILT IN ACCORDANCE WITH IDOT AND WDOT STANDARD SPECIFICATIONS.
7. COATINGS OPTIONAL AS REQUIRED.



**STANDARD PRECAST 120" DIAMETER BASE SECTION**



8011 GREEN BAY ROAD  
KENOSHA, WI. 53142

PH: (262) 694-3166  
FAX: (262) 694-9185

DRN BY: <b>DM</b>	DATE <b>07/25/07</b>	DWG NO.	REV
CHK'D BY:	DATE	SCALE <b>NTS</b>	SHEET OF