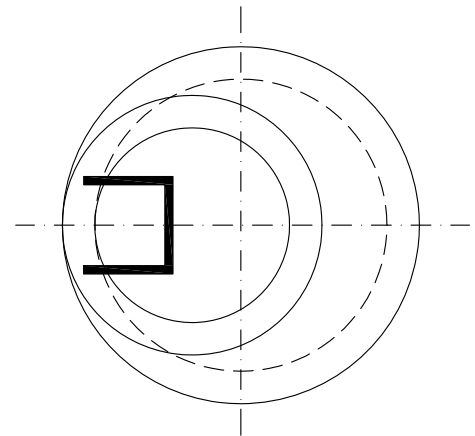
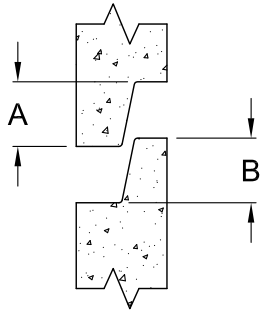


EXTERIOR

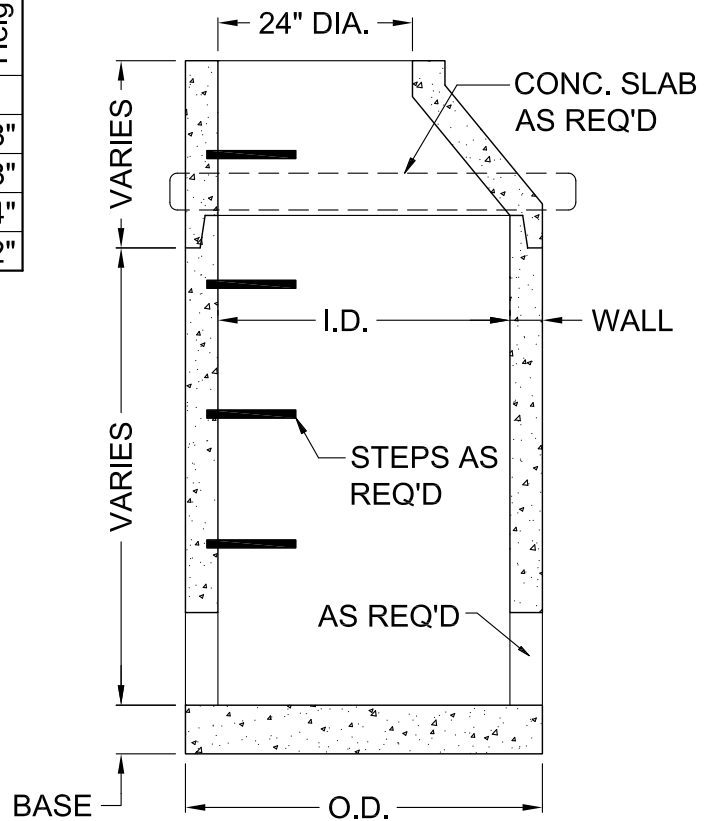


JOINT DETAIL

Inside Diameter	Outside Diameter	Wall Thickness	Base Thickness	Groove Height	Tongue Height
ID	OD	WALL	BASE	A	B
36"	45 1/2"	4 3/4"	6" Typ. or as Req'd	2 3/4"	2 5/8"
48"	58"	5"	6" Typ.; 8" as Req'd	2 3/4"	2 5/8"
60"	72"	6"	6" Typ.; 8" as Req'd	2 3/4"	2 3/4"
72"	86"	7"	6" Typ.; 8" as Req'd	5 1/2"	5 1/2"

NOTES

1. CONCRETE TO BE MINIMUM 4500 PSI AT 28 DAYS.
2. ALL CONCRETE CATCH BASINS AND MANHOLES ARE MANUFACTURED WITH WELDED STEEL WIRE FABRIC CONFORMING TO ASTM A-185.
3. ALL MANHOLES ARE MANUFACTURED TO COMPLY WITH ASTM DESIGNATION C-478 AND ILLINOIS DEPARTMENT OF TRANSPORTATION HIGHWAY STANDARDS.



MANHOLES



P.O. BOX 157
 HAZELCREST, IL 60420
 TEL: (708) 339-7765
 FAX: (708) 338-3706

DRN BY: DM	DATE 08/31/07	DWG NO.	REV
CHK'D BY:	DATE	SCALE NTS	SHEET OF