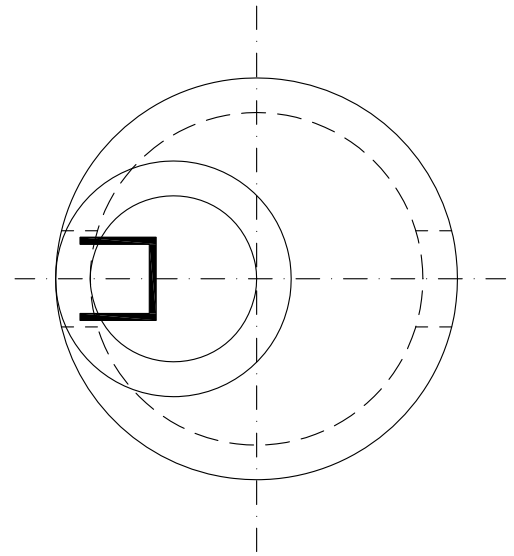
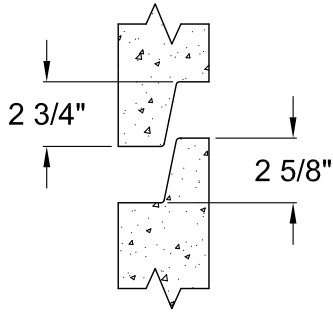


EXTERIOR

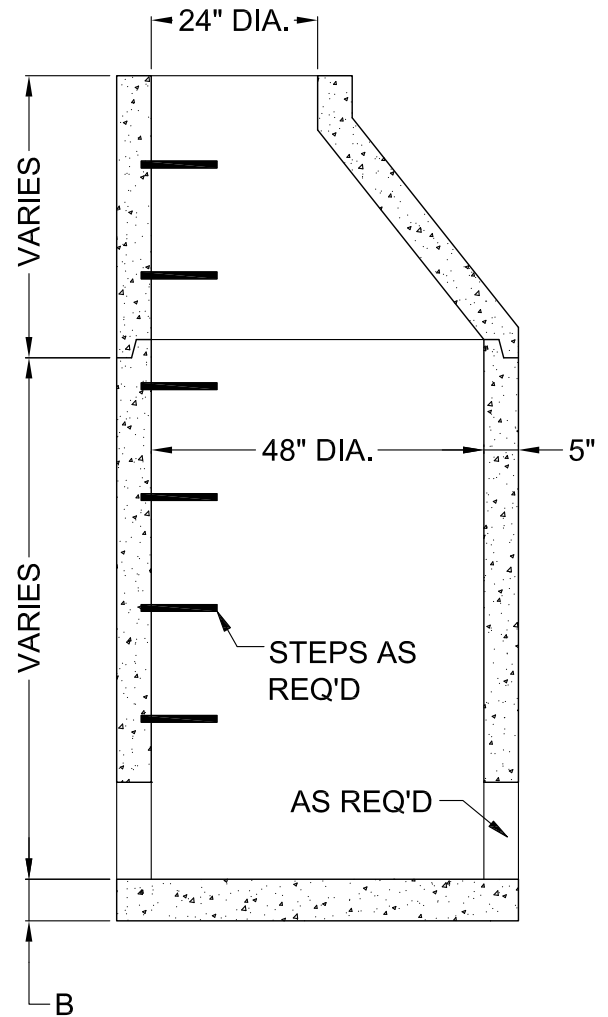


JOINT DETAIL

B = 6" TYP.
B = 8" AS REQ'D

NOTES

1. CONCRETE TO BE MINIMUM 4500 PSI AT 28 DAYS.
2. ALL CONCRETE CATCH BASINS AND MANHOLES ARE MANUFACTURED WITH WELDED STEEL WIRE FABRIC CONFORMING TO ASTM A-185.
3. ALL MANHOLES ARE MANUFACTURED TO COMPLY WITH ASTM DESIGNATION C-478 AND ILLINOIS DEPARTMENT OF TRANSPORTATION HIGHWAY STANDARDS.



48" DIA. MANHOLE



P.O. BOX 157
HAZELCREST, IL 60420
TEL: (708) 339-7765
FAX: (708) 338-3706

DRN BY: DM	DATE 08/31/07	DWG NO.	REV
CHK'D BY:	DATE	SCALE NTS	SHEET OF