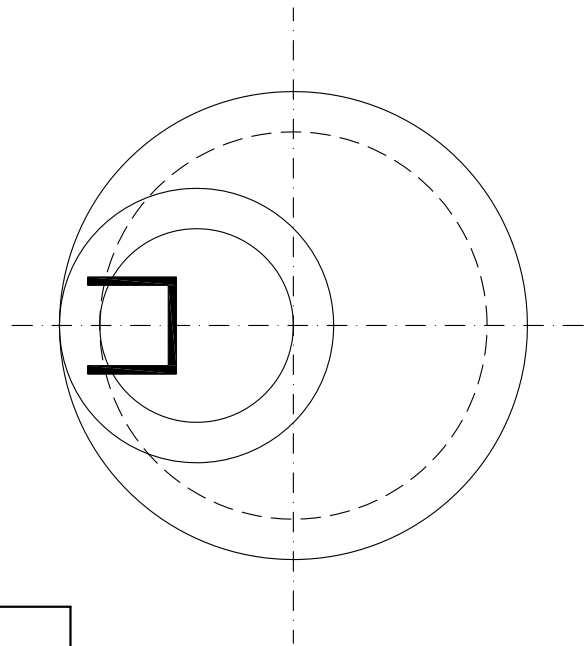
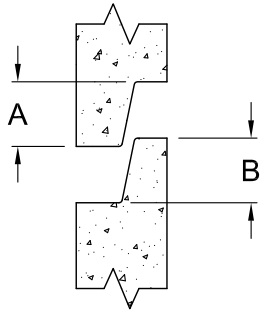


EXTERIOR

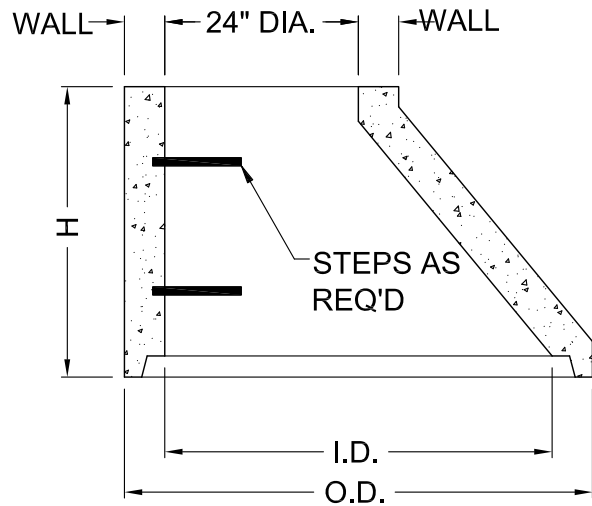


JOINT DETAIL

Inside Diameter	Outside Diameter	Wall Thickness	Groove Height	Tongue Height	Typical Height of Eccentric Cone Section
ID	OD	WALL	A	B	H
36"	44"	4"	2 3/4"	2 5/8"	32"
48"	58"	5"	2 3/4"	2 5/8"	24", 36", 39"
60"	72"	6"	2 3/4"	2 3/4"	42", 48"
72"	86"	7"	5"	5"	42"

NOTES

1. CONCRETE TO BE MINIMUM 4500 PSI AT 28 DAYS.
2. ALL CONCRETE CATCH BASINS AND MANHOLES ARE MANUFACTURED WITH WELDED STEEL WIRE FABRIC CONFORMING TO ASTM A-185.
3. ALL MANHOLES ARE MANUFACTURED TO COMPLY WITH ASTM DESIGNATION C-478 AND ILLINOIS DEPARTMENT OF TRANSPORTATION HIGHWAY STANDARDS.



ECCENTRIC CONE SECTIONS



P.O. BOX 157  
 HAZELCREST, IL 60420  
 TEL: (708) 339-7765  
 FAX: (708) 338-3706

DRN BY: <b>DM</b>	DATE <b>08/31/07</b>	DWG NO.	REV
CHK'D BY:	DATE	SCALE <b>NTS</b>	SHEET OF