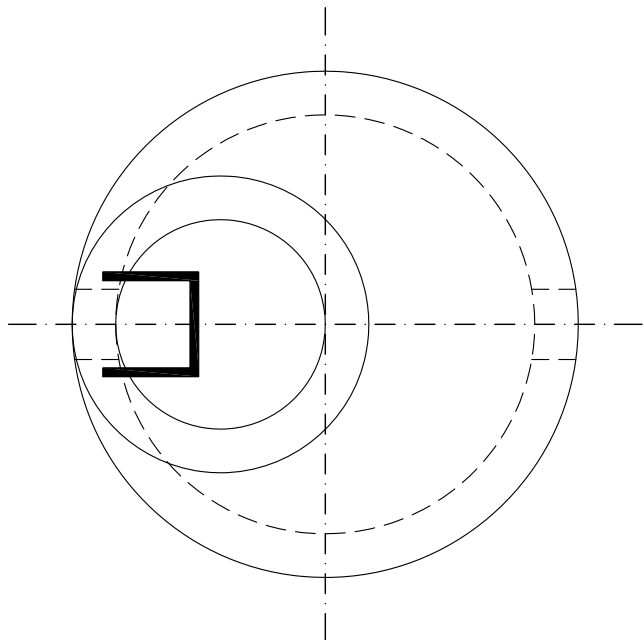
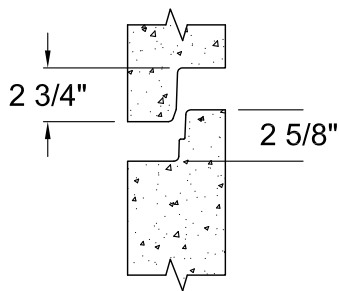
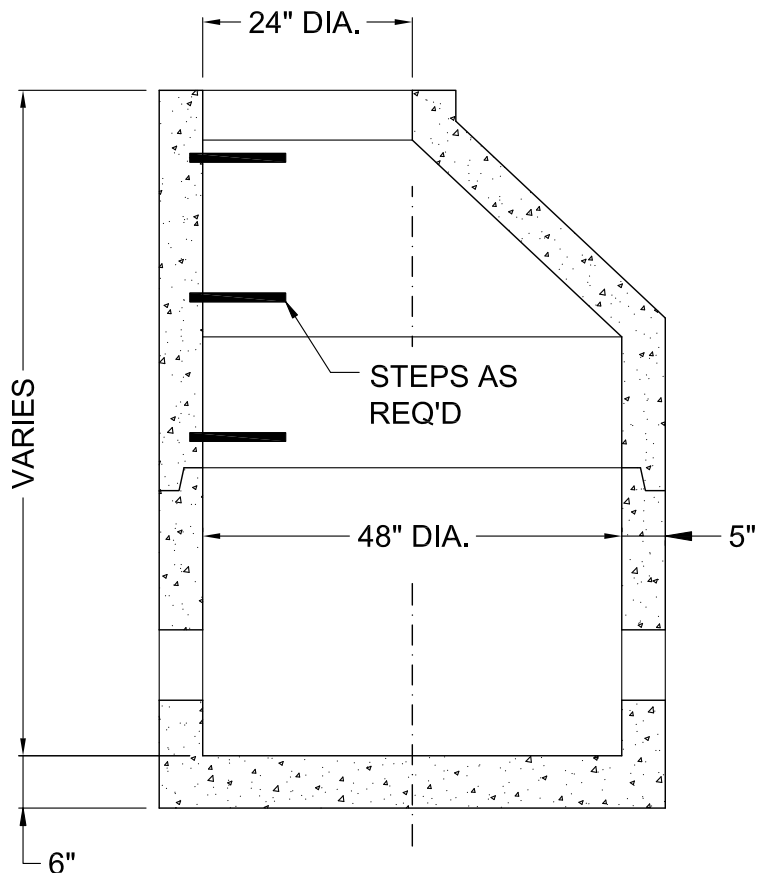


EXTERIOR



JOINT DETAIL



NOTES

1. CONCRETE TO BE MINIMUM 4500 PSI AT 28 DAYS.
2. ALL CONCRETE CATCH BASINS AND MANHOLES ARE MANUFACTURED WITH WELDED STEEL WIRE FABRIC CONFORMING TO ASTM A-185.
3. ALL MANHOLES ARE MANUFACTURED TO COMPLY WITH ASTM DESIGNATION C-478 AND ILLINOIS DEPARTMENT OF TRANSPORTATION HIGHWAY STANDARDS.

48" DIA. VALVE VAULT WITH ECCENTRIC CONE TOP



1375 Gifford Rd
 Elgin, IL 60120
 PH (847) 608-1200
 FX (847) 608-1205

DRN BY: DM	DATE 08/02/07	DWG NO.	REV
CHK'D BY:	DATE	SCALE NTS	SHEET OF