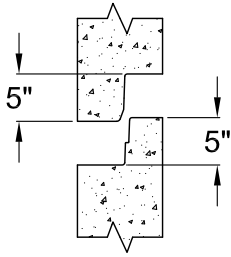
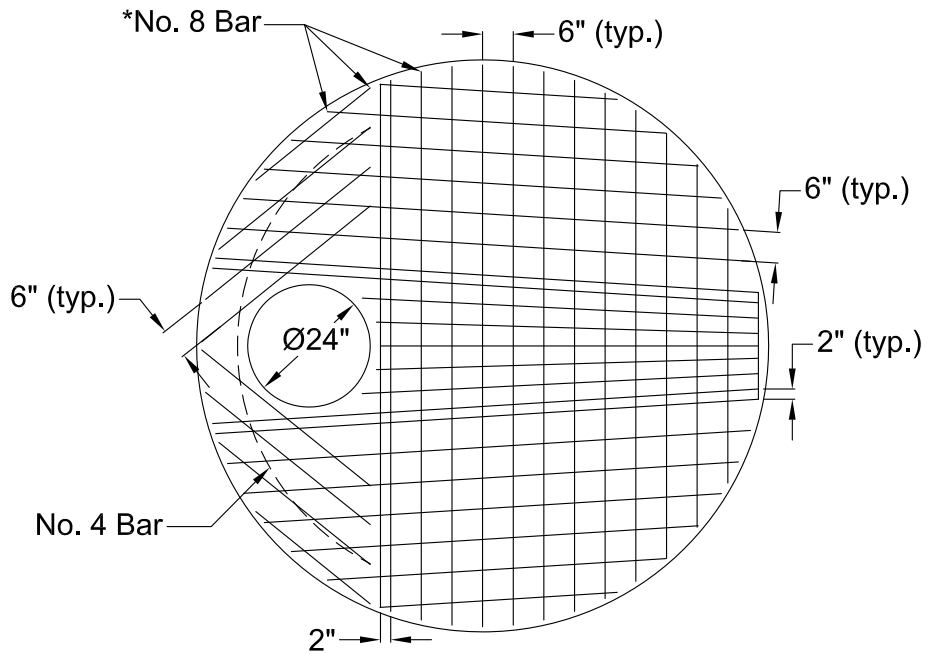


EXTERIOR



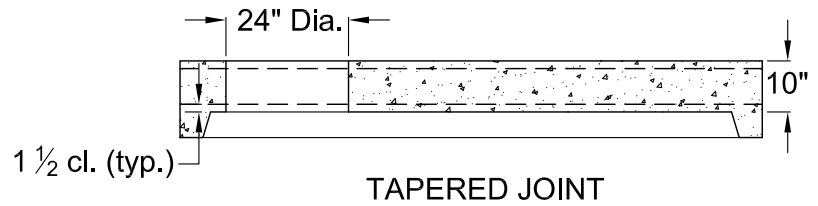
JOINT DETAIL



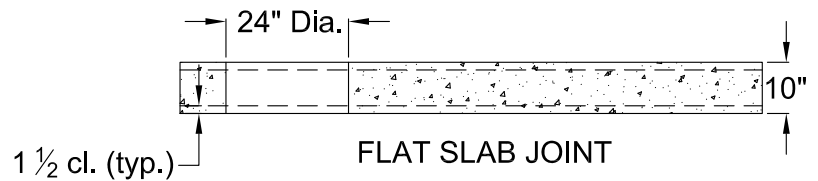
\*Bottom mat of rebar shown.  
Top mat is placed at 12" centers each direction (No. 4 Bar)

**NOTES**

1. CONCRETE TO BE MINIMUM 4500 PSI AT 28 DAYS.
2. ALL CONCRETE CATCH BASINS AND MANHOLES ARE MANUFACTURED WITH WELDED STEEL WIRE FABRIC CONFORMING TO ASTM A-185.
3. ALL MANHOLES ARE MANUFACTURED TO COMPLY WITH ASTM DESIGNATION C-478 AND ILLINOIS DEPARTMENT OF TRANSPORTATION HIGHWAY STANDARDS.



TAPERED JOINT



FLAT SLAB JOINT

**96" DIA. FLAT TOP SECTION**



1375 Gifford Rd  
Elgin, IL 60120  
PH (847) 608-1200  
FX (847) 608-1205

DRN BY: <b>AN</b>	DATE <b>05/18/09</b>	DWG NO.	REV
CHK'D BY:	DATE	SCALE <b>NTS</b>	SHEET OF