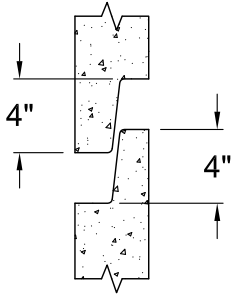
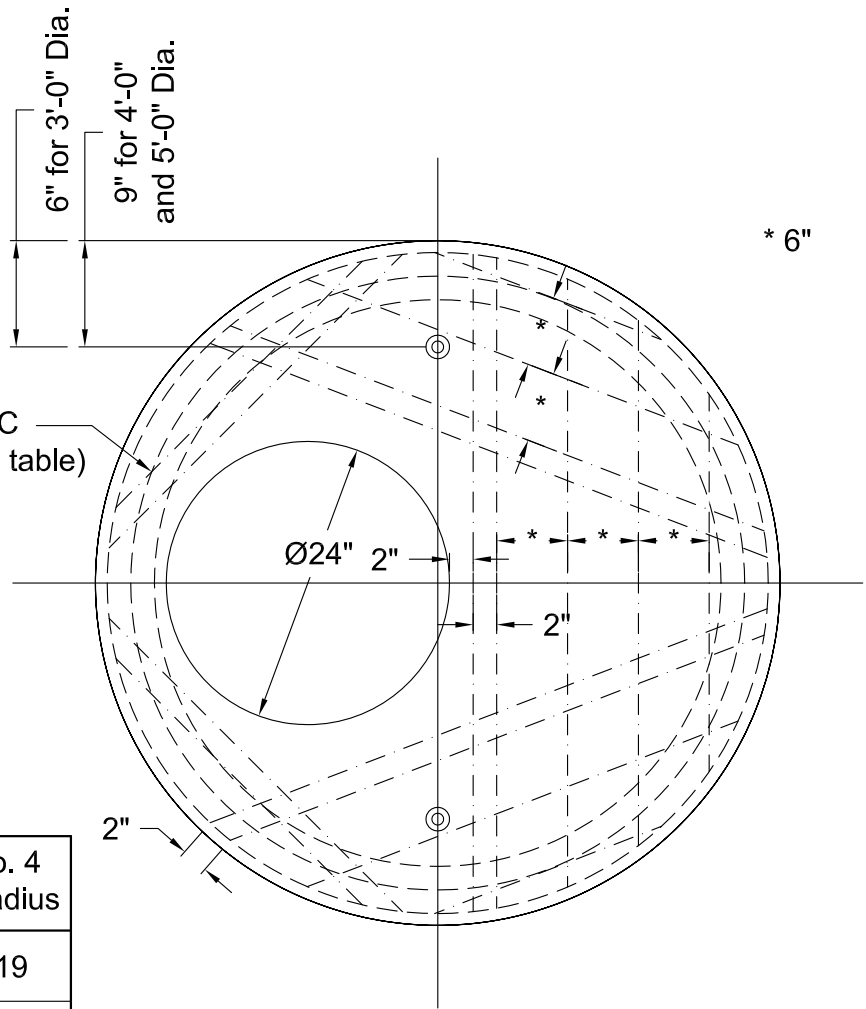


EXTERIOR



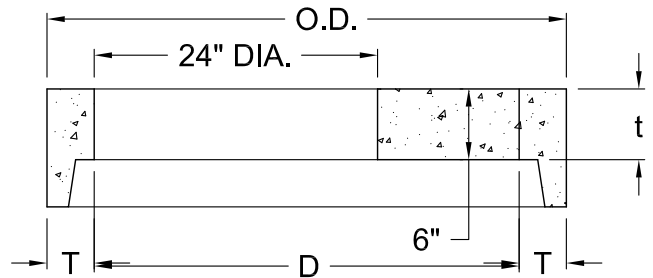
JOINT DETAIL



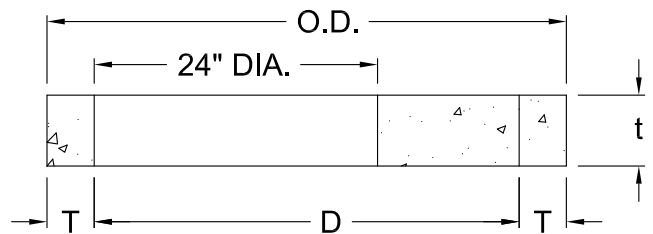
D	T	O.D.	t	Bar Size	Bar C No. 4 Length	Bar C No. 4 Radius
36"	4"	44"	6"	No. 4	4'-0"	19
48"	5"	58"	6"	No. 5	4'-6"	26
60"	6"	72"	8"	No. 5	5'-0"	32

NOTES

1. CONCRETE TO BE MINIMUM 4500 PSI AT 28 DAYS.
2. ALL CONCRETE CATCH BASINS AND MANHOLES ARE MANUFACTURED WITH WELDED STEEL WIRE FABRIC CONFORMING TO ASTM A-185.
3. ALL MANHOLES ARE MANUFACTURED TO COMPLY WITH ASTM DESIGNATION C-478 AND ILLINOIS DEPARTMENT OF TRANSPORTATION HIGHWAY STANDARDS.



TAPERED JOINT



FLAT SLAB JOINT

36", 48", and 60" DIA.  
FLAT TOP SECTION



1375 Gifford Rd  
Elgin, IL 60120  
PH (847) 608-1200  
FX (847) 608-1205

DRN BY: <b>DM</b>	DATE <b>08/10/07</b>	DWG NO.	REV
CHK'D BY:	DATE	SCALE <b>NTS</b>	SHEET OF