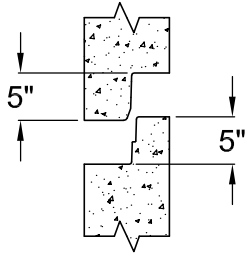
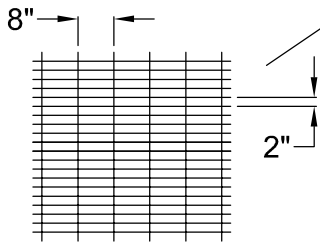
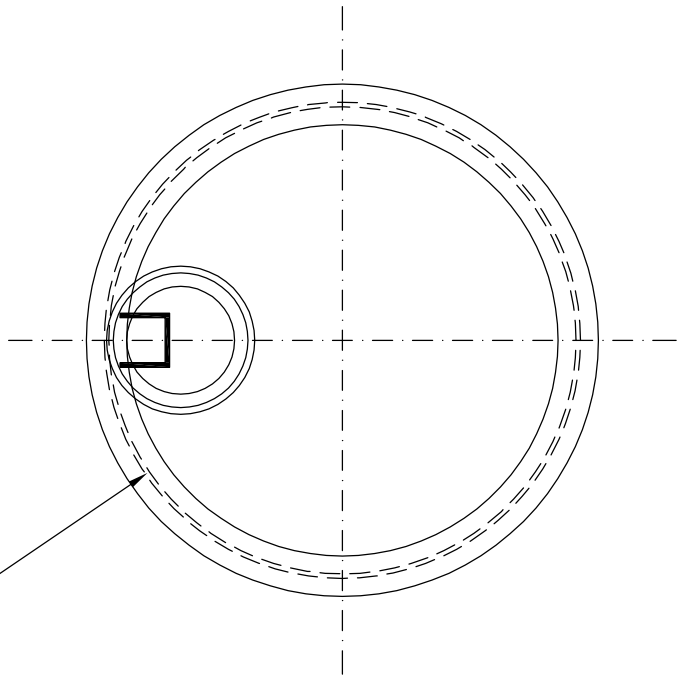


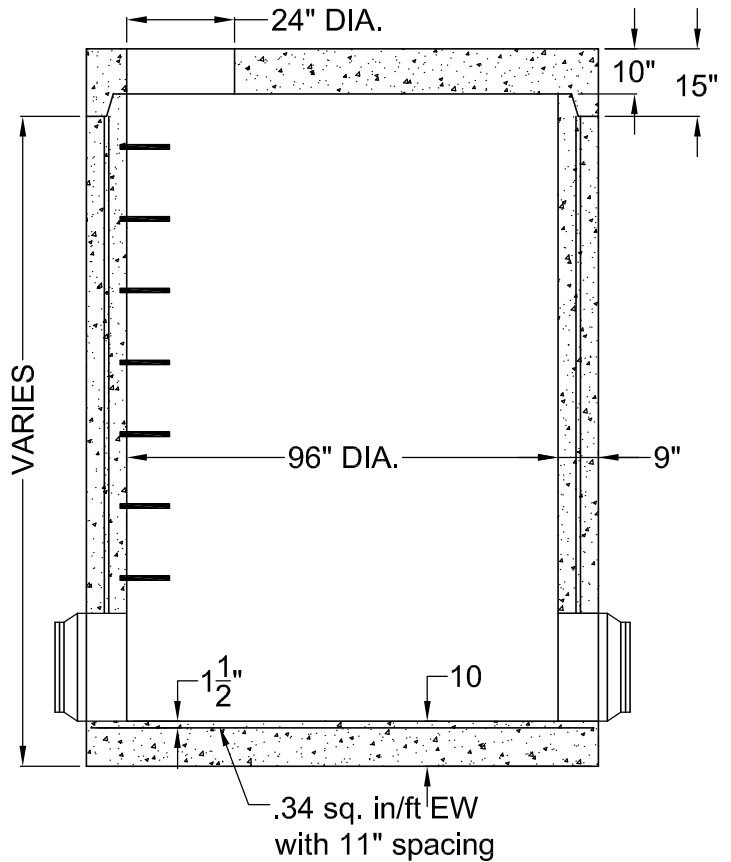
EXTERIOR



JOINT DETAIL



W2.1 x 2.1  
Reinforcement  
to be area .24  
middle of wall  
(double cage)



**NOTES**

1. CONCRETE TO BE MINIMUM 5000 PSI AT 28 DAYS.
2. ALL CONCRETE CATCH BASINS AND MANHOLES ARE MANUFACTURED WITH WELDED STEEL WIRE FABRIC CONFORMING TO ASTM A-185.
3. ALL STRUCTURES ARE MANUFACTURED TO COMPLY WITH ASTM DESIGNATION C-478 AND ILLINOIS DEPARTMENT OF TRANSPORTATION HIGHWAY STANDARDS.
4. RUBBER BOOTS CONFORMING TO ASTM C-923 AT ALL PIPE PENETRATIONS.

**96" DIA. MANHOLE**



1375 Gifford Rd  
Elgin, IL 60120  
PH (847) 608-1200  
FX (847) 608-1205

DRN BY: <b>AN</b>	DATE <b>03/06/17</b>	DWG NO.	REV
CHK'D BY:	DATE	SCALE <b>NTS</b>	SHEET OF