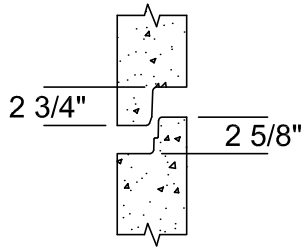
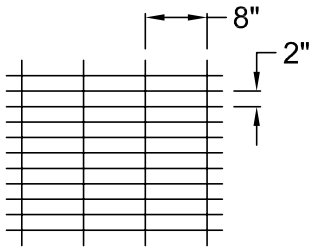


EXTERIOR



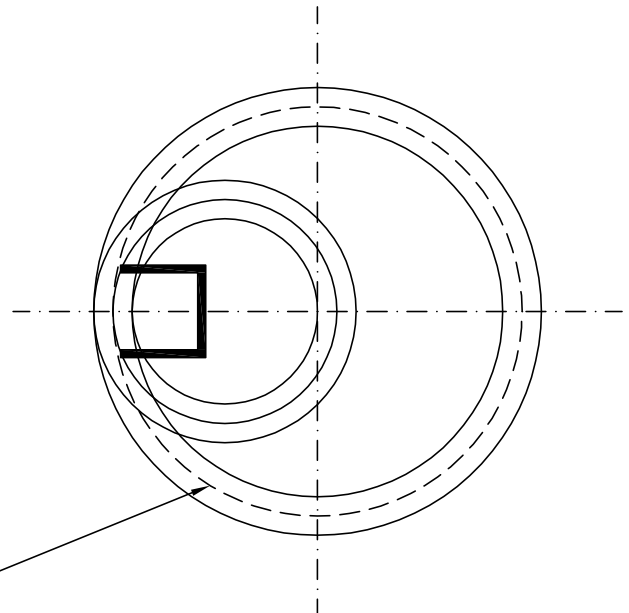
JOINT DETAIL



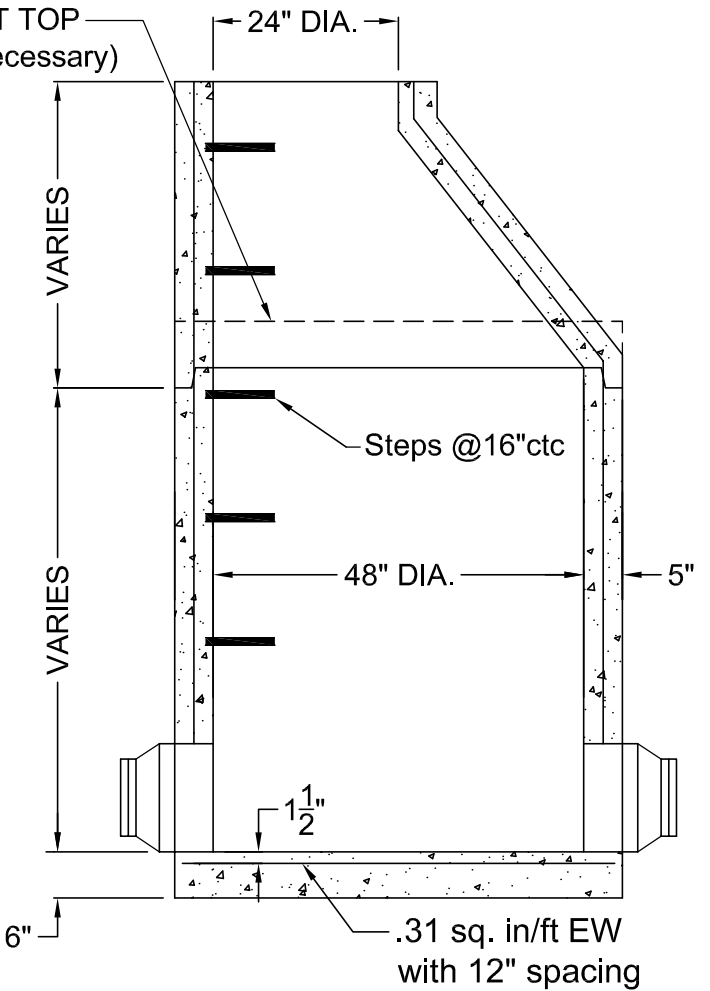
W2.1 x 2.1  
Reinforcement  
to be area .12  
middle of wall

NOTES

1. CONCRETE TO BE MINIMUM 4500 PSI AT 28 DAYS.
2. ALL CONCRETE CATCH BASINS AND MANHOLES ARE MANUFACTURED WITH WELDED STEEL WIRE FABRIC CONFORMING TO ASTM A-185.
3. ALL STRUCTURES ARE MANUFACTURED TO COMPLY WITH ASTM DESIGNATION C-478 AND ILLINOIS DEPARTMENT OF TRANSPORTATION HIGHWAY STANDARDS.
4. RUBBER BOOTS TO CONFORM TO ASTM C-923 AT ALL PIPE PENETRATIONS.



FLAT TOP  
(if necessary)



48" DIA. MANHOLE



1375 Gifford Rd  
Elgin, IL 60120  
PH (847) 608-1200  
FX (847) 608-1205

DRN BY: <b>AN</b>	DATE <b>03/03/17</b>	DWG NO.	REV
CHK'D BY:	DATE	SCALE <b>NTS</b>	SHEET OF