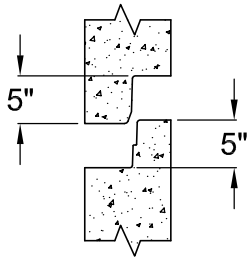
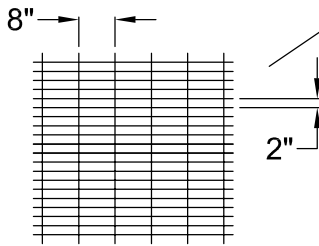
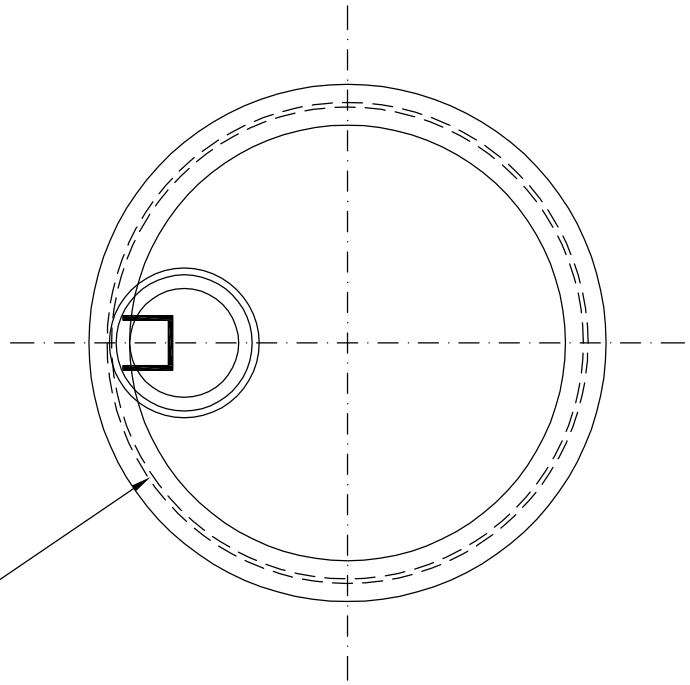


EXTERIOR



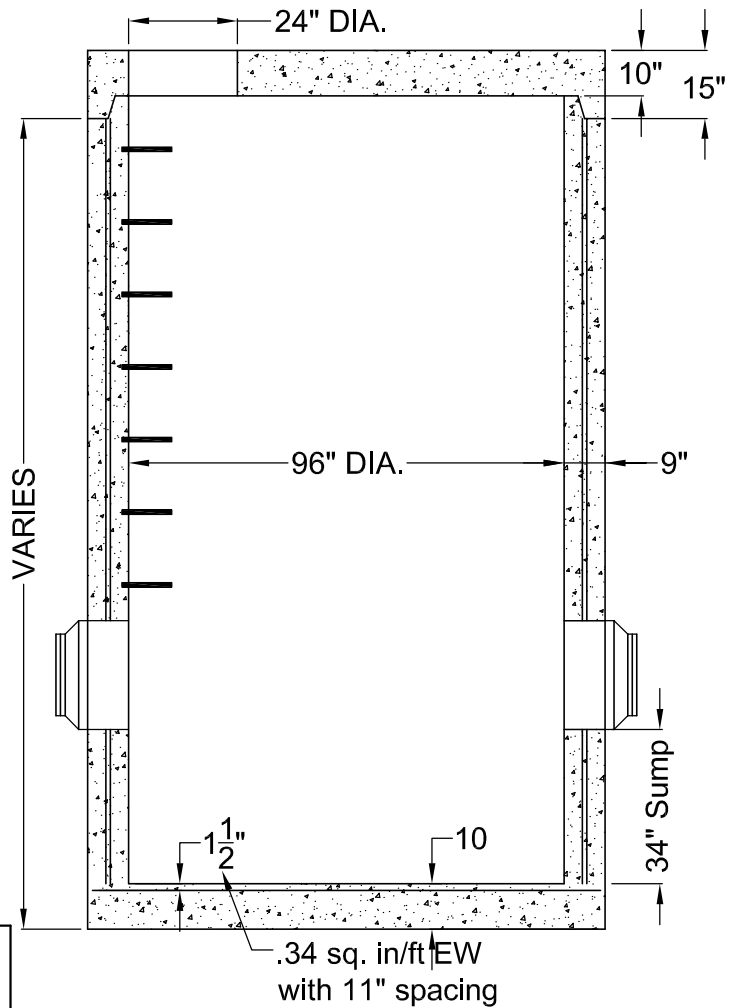
JOINT DETAIL



W2.1 x 2.1
Reinforcement
to be area .24
middle of wall
(double cage)

NOTES

- CONCRETE TO BE MINIMUM 5000 PSI AT 28 DAYS.
- ALL CONCRETE CATCH BASINS AND MANHOLES ARE MANUFACTURED WITH WELDED STEEL WIRE FABRIC CONFORMING TO ASTM A-185.
- ALL STRUCTURES ARE MANUFACTURED TO COMPLY WITH ASTM DESIGNATION C-478 AND ILLINOIS DEPARTMENT OF TRANSPORTATION HIGHWAY STANDARDS.
- RUBBER BOOTS CONFORMING TO ASTM C-923 AT ALL PIPE PENETRATIONS.



96" DIA. CATCH BASIN



1375 Gifford Rd
Elgin, IL 60120
PH (847) 608-1200
FX (847) 608-1205

DRN BY: AN	DATE 03/06/17	DWG NO.	REV
CHK'D BY:	DATE	SCALE NTS	SHEET OF